

FIG A

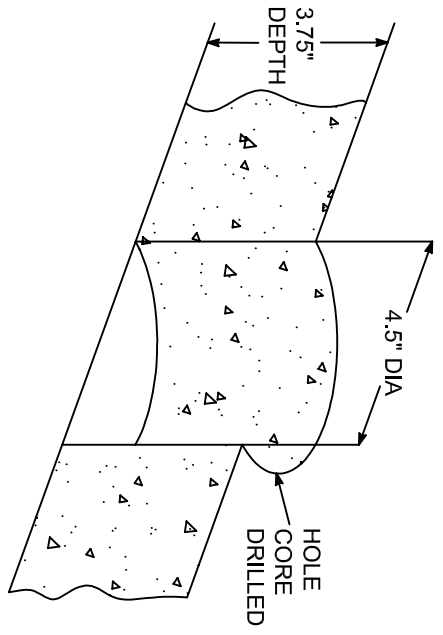


FIG B

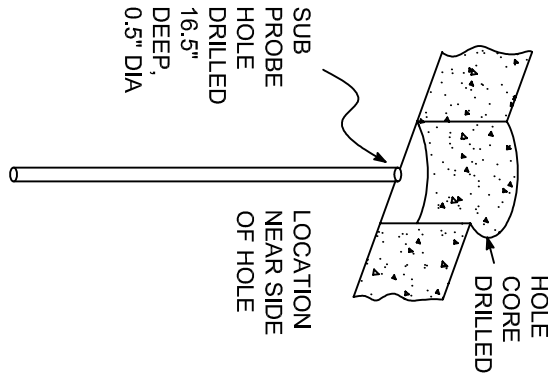


FIG C1

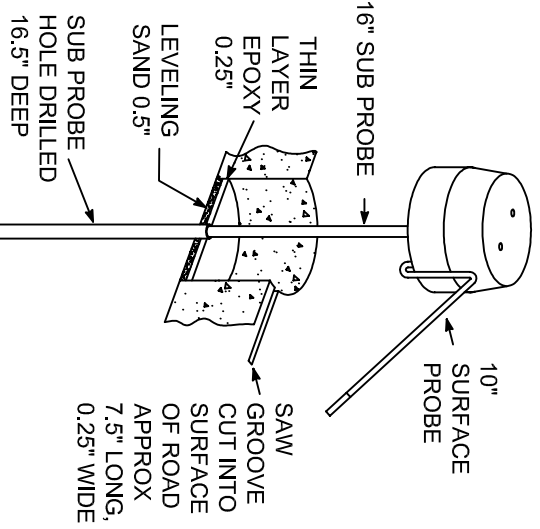


FIG C2

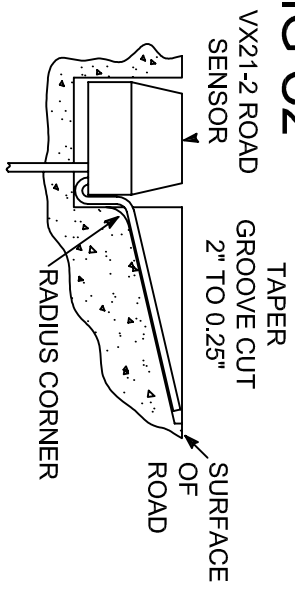


FIG D

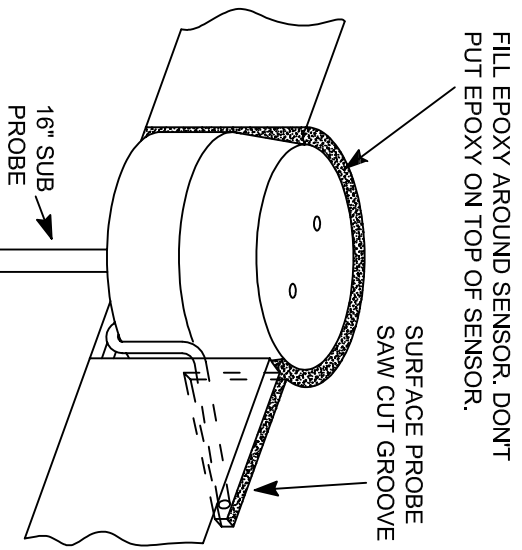


FIG E

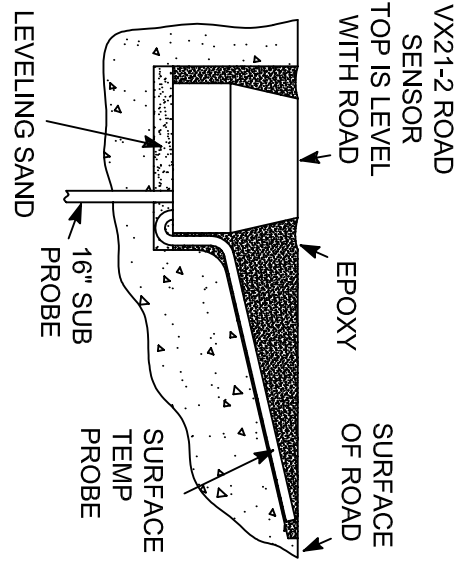
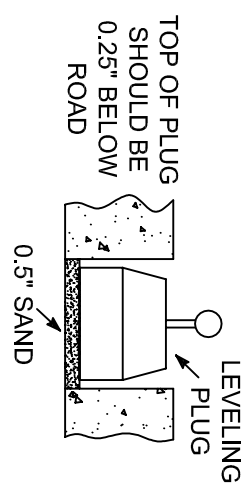


FIG C3



DATE: 4-10-2014	M.H. CORBIN INC. 8355 RAUSCH DR. PLAIN CITY, OH 43064	VX 21 ROAD SENSOR	TYPICAL VX21-2 INSTALLATION
REV:			