



Vulcan[®] Barrier



TRINITY
HIGHWAY

Ahead of the Curve[™]

Vulcan® Barrier

The Vulcan® is a portable steel barrier made of lightweight, galvanized steel segments. It is NCHRP Report 350 Test Level 3 and Test Level 4 and is EN1317 H2 and N2 compliant as a longitudinal re-directing barrier. The barrier can be used in permanent and work zone applications with a variety of end treatments such as the QuadGuard®, Quest®, TRACC®, or ACZ 350®.



PORTABILITY & EFFICIENCY

Features

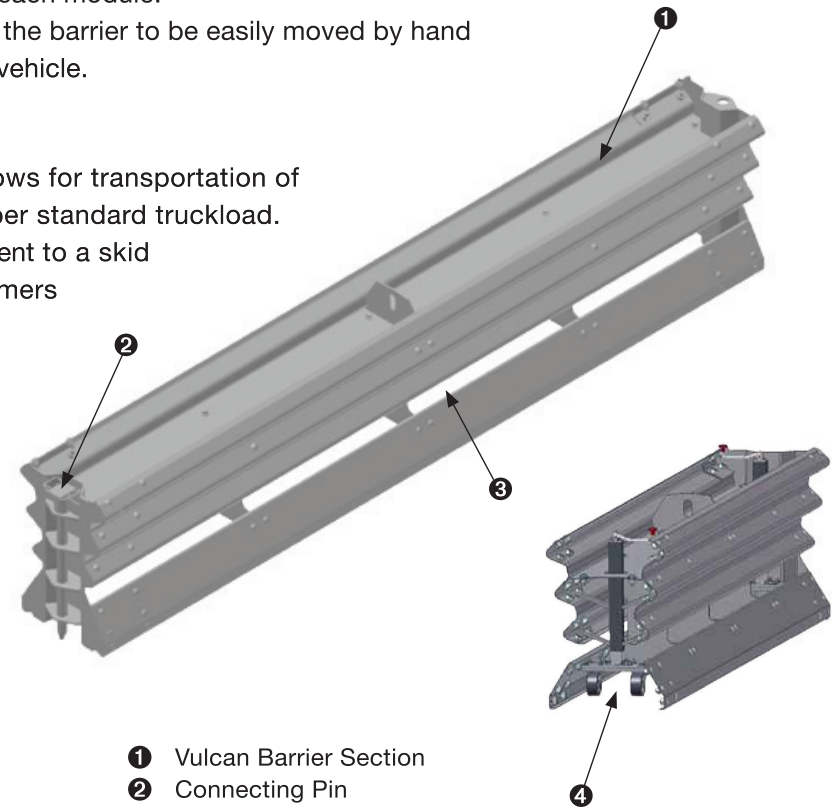
- Deployable, with multiple anchoring configurations, as a gate or free standing.
- Work zone congestion in high traffic areas can be greatly reduced by using the Vulcan to create temporary lane shifts and work zone closures during off-peak or weekend hours.
- Multiple uses - as temporary or permanent median or roadside longitudinal barrier.
- Vertical steel pivot pin interlinks each module.
- Optional wheels and jacks allow the barrier to be easily moved by hand or towed short distances with a vehicle.

Assembly and Maintenance

- Lightweight modular design allows for transportation of up to 480 linear feet of barrier per standard truckload.
- With the use of a simple attachment to a skid steer or front-end loader, customers can readily move one mile of Vulcan® Barrier, one full lane-width, in about 20 minutes.

Specifications

- Typical 13' 6" (4 m) Long Segments
- (39' (12 m) Segments Also Available)
- 21.5" Wide (546 mm)
- 32" High (813 mm)
- 1,020 lbs. (460 kg)



- ① Vulcan Barrier Section
- ② Connecting Pin
- ③ Forklift Ports
- ④ Optional Jack & Wheels

An original  ENERGY ABSORPTION SYSTEMS, INC. product.

Distributed by:

 **Coral Sales Co.**
Highway Safety Solutions

P. 503-655-6351 » F. 503-657-9649

www.coralsales.com

PO Box 22385 Portland, OR 97269-2385

