

CBC-2000 Quick Start Guide

Power and Antenna

1. Connect the unit to 12V power using the supplied AC adapter
2. Connect the unit to the supplied cellular antenna



3. Once booted, the unit will show it's Model number and IP address on the LCD screen. The heartbeat light will start flashing.

NOTE: The cellular modem must first be associated to a cellular service plan by it's MEID (Verizon) or SIM card (AT&T), and be provisioned for the CBC-2000 by MHCORBIN.

4. Connect all beacon heads, relay contacts, inputs or outputs required

LED Beacon Heads

The beacon heads are to be connected directly to the unit for control by the internal flasher. Simply connect the LED+ and LED- as indicated using the provided 8-position green connector



General Purpose Inputs and Outputs

The analog inputs (A0-A3) can accept voltages in the range of 0-24VDC

The digital input (D/I) can accept voltages in the range 0-12VDC

The digital output (D/O) will be ~0VDC when OFF and ~12VDC when ON

The 12V and GND connections are provided for reference and can be used for power or logic as needed to control the GPIO sensors, etc.



AC Relay

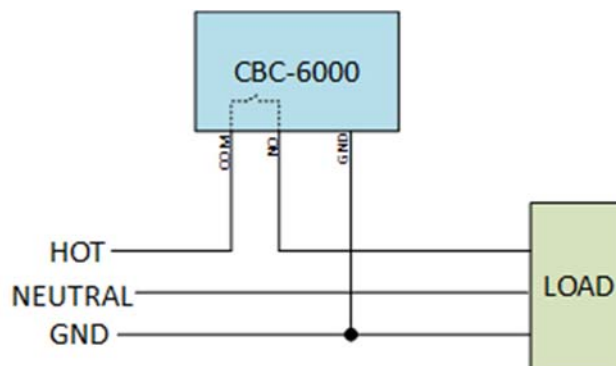
Powering and monitoring an AC powered device (lamp, sign, etc) can be accomplished using the CBC-6000's internal relay, current and voltage sensors.



The AC EARTH GND (usually a green wire) should be first connected to the GND position of the 10-position connector.

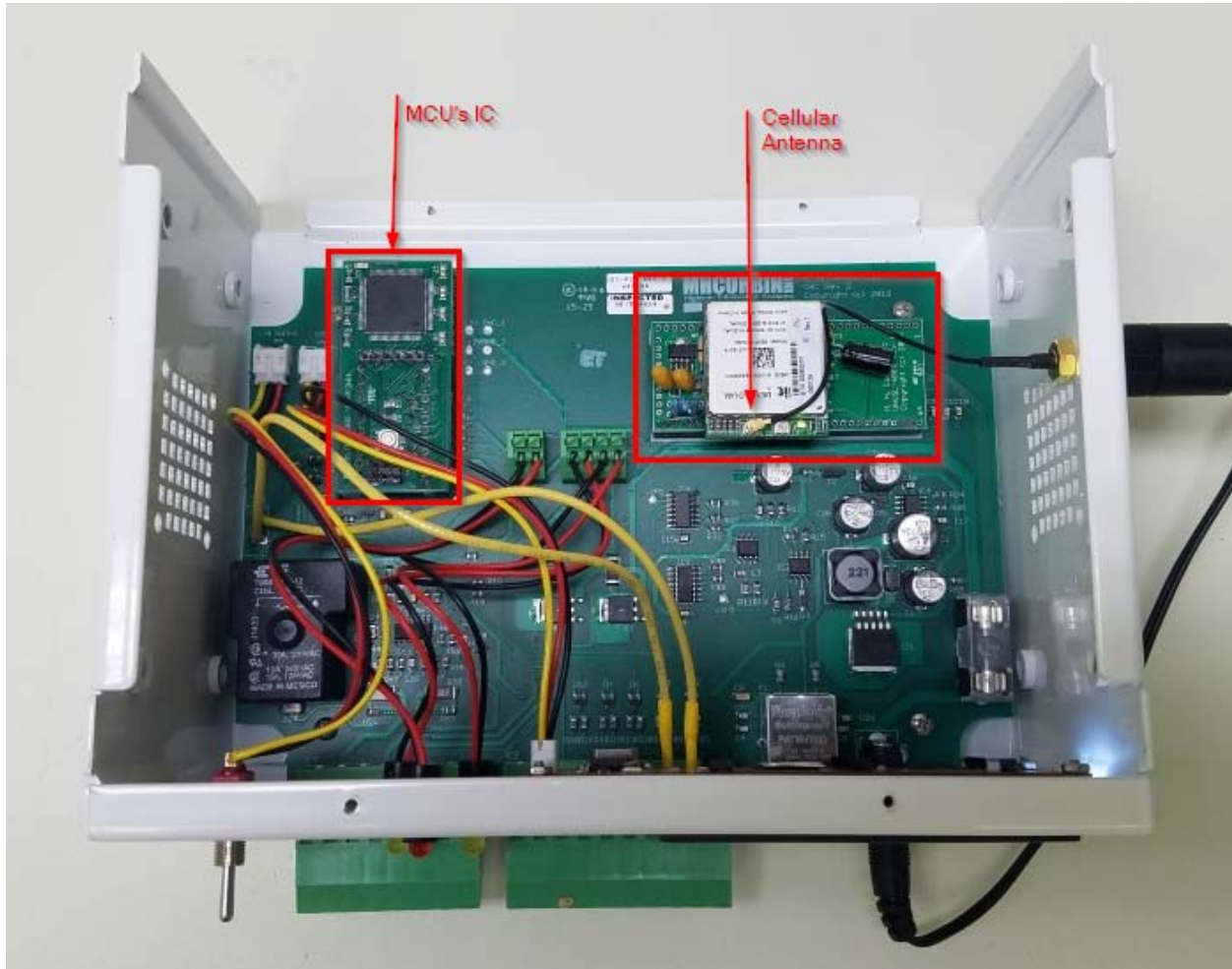
The AC HOT wire (usually a black wire) should then be connected through the provided COM/NO 2-position connector.

The AC NEUTRAL wire (usually a white wire) should be connected directly to the load



Cellular Modem and Microcontroller

If required, both the Cellular Modem and Microcontroller can be swapped. This could be required for either maintenance or upgrade purposes. The following picture can be used as a reference for orientation of the modules



Platinum Software Control

For Platinum Software control of the CBC-2000, 2 steps are required:

1. The Platinum Server driver file must be installed. Contact MHCORBIN Support support@mhcorbin.com for details on how to obtain this file.
2. The Platinum Server Operations must be configured. See the document titled "CBC Adding the Operations.docx" or contact MHCORBIN Support to obtain this document.

